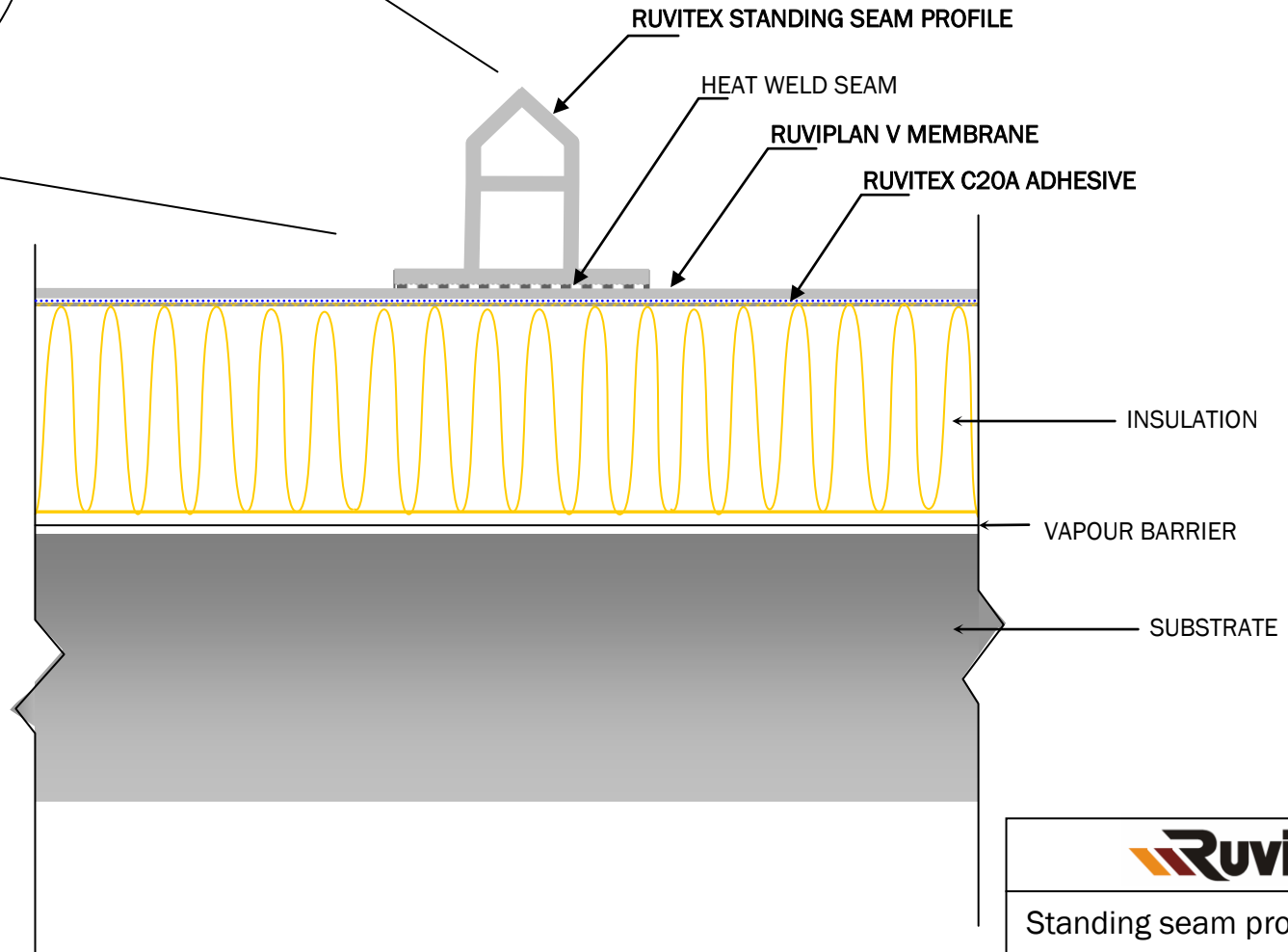
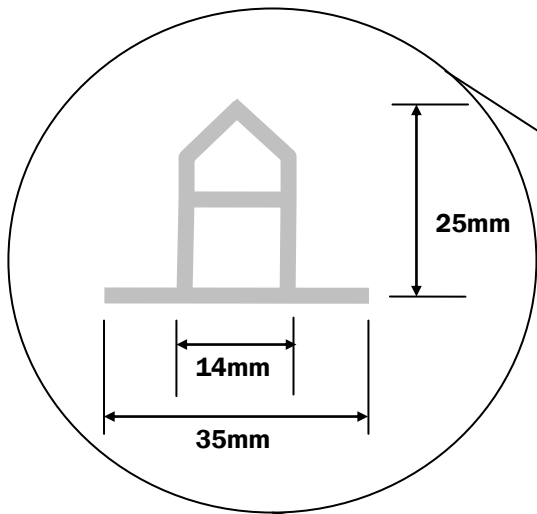


Not shown to scale



Standing seam profile (bonded)

Rev 02 10

02/10/13

NB: Details are project dependant and may vary from those shown here